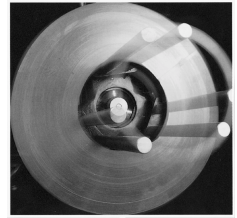
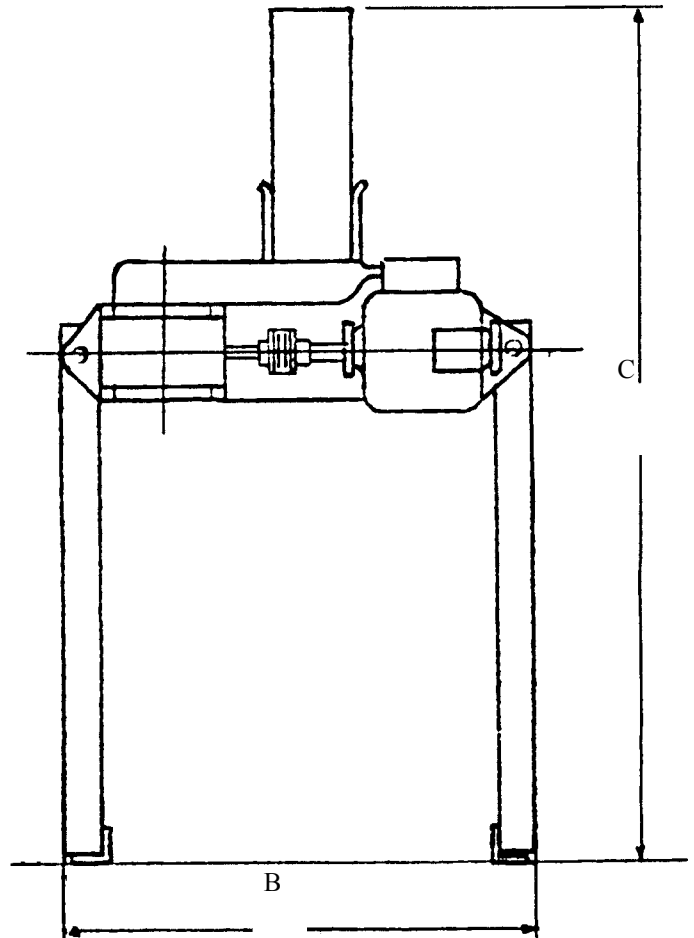
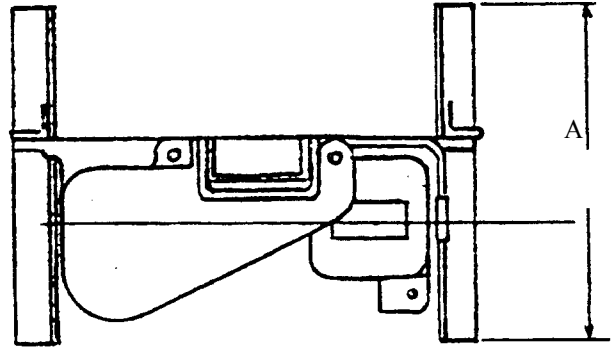


Durant Tool Company

Manufacturers of
Coil Handling Equipment



Scrap Cutter 100, 300, 400 Series



Models	A	B	C	Shipping Weight
100	16"	22 1/2"	35 1/2"	105 Lbs.
300	16"	22 1/2"	35 1/2"	105 Lbs.
400	18"	38"	29 1/2"	267 Lbs.

200 Circuit Drive • North Kingstown, Rhode Island 02852 • USA
International Phone: 401-781-7800 • Toll Free: 800-338-7268 • Fax: 401-738-2586
• Internet Address: www.durantco.com •